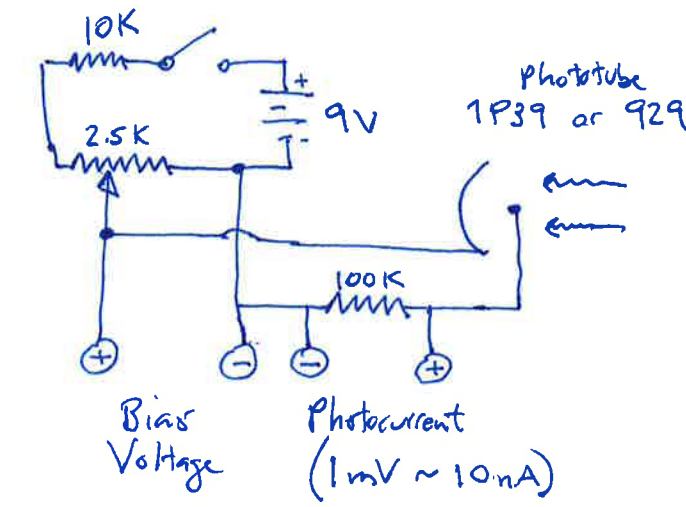
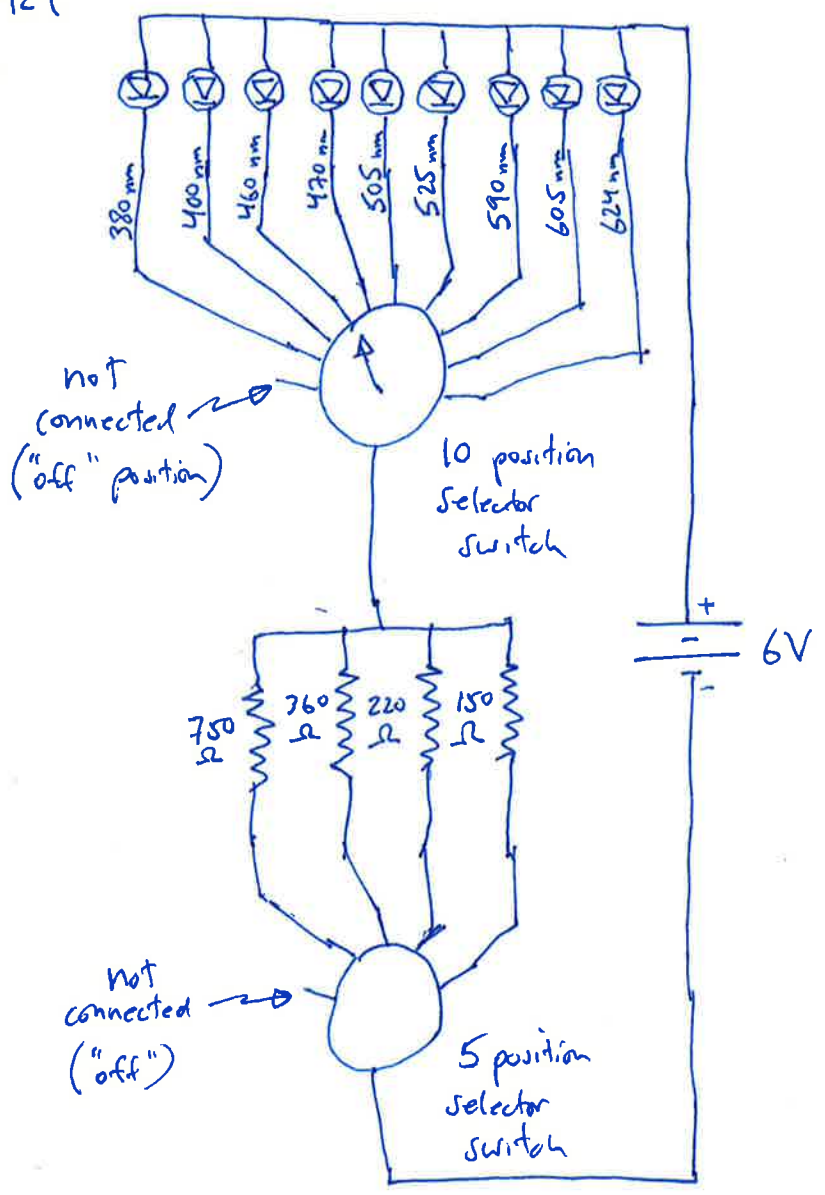


New Schematic Diagram for Photoelectric Effect

S.W.
7/31/2014



unchanged from Wayne Garver's version



adding selector switches for bulb and intensity